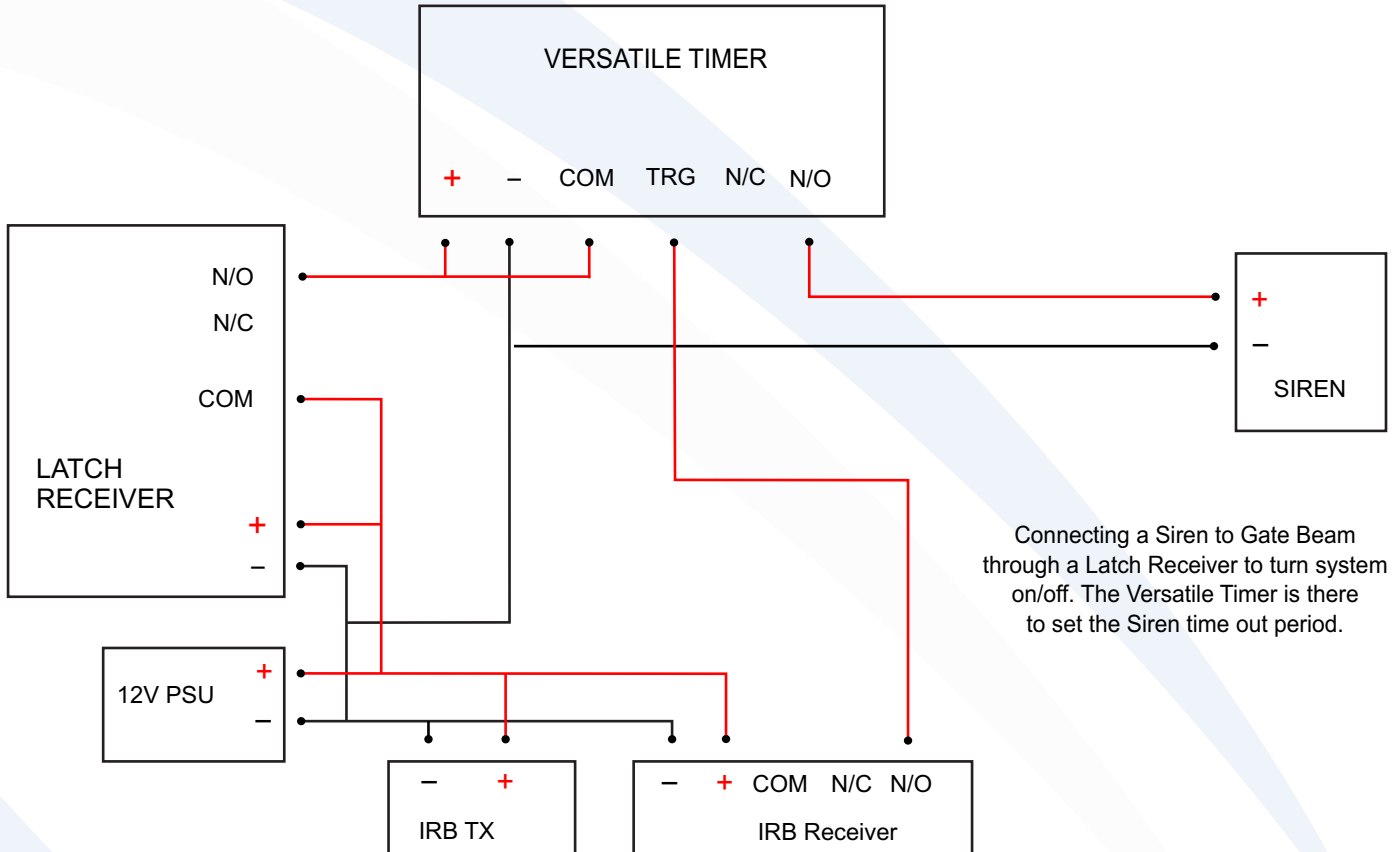




TECHNICAL DATA INFORMATION Versatile Timer Module



Connecting a Siren to Gate Beam through a Latch Receiver to turn system on/off. The Versatile Timer is there to set the Siren time out period.