



## **TECHNICAL PRODUCT BULLETIN**

### **Low Battery Cut-out**

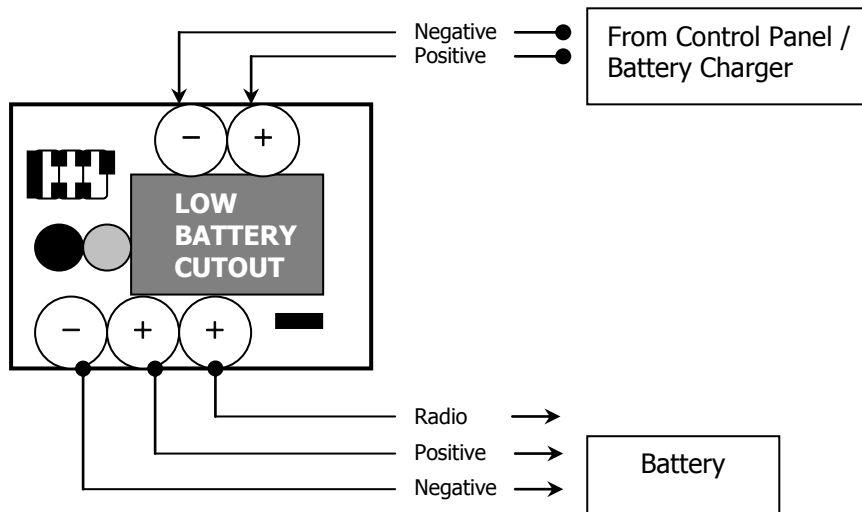
#### **Application**

- ▶ To prevent the total discharge of a battery, in any alarm or access control installation.

#### **Specifications**

- ▶ Supplied with optional Battery leads.
- ▶ 4.8mm lugs for panel or charger wiring.
- ▶ Automatically cuts power when battery voltage falls to 10.6 volts, thereby preventing battery from discharging completely.
- ▶ Automatically restores power to battery when charger voltage is re-applied.
- ▶ LED indication of low battery status.
- ▶ Current rating 5A@ 12 VDC.
- ▶ Physical size: 59mm x 40mm.

#### **Wiring Diagram**



#### **Installation**

- ▶ Plug battery charger wiring onto unit, observe polarity.
- ▶ LED and relay energise.
- ▶ Connect unit to battery and radio.