

Neat 12v DC Day Night Switch

BLUE = N.C.
YELL = N.O.
WHITE = common
BLACK = NEG 12v
RED = POS 12v



The NEAT day night switch will automatically turn the relay on and off from sunrise to sunset.

Apply 12v DC, the relay turns on for as long as light is detected, cover the sensor for more than 20 seconds, the relay will turn off, allow more than 20 seconds of light to turn the relay back on.

Use Common and N.C. connections to power LED lights at night.

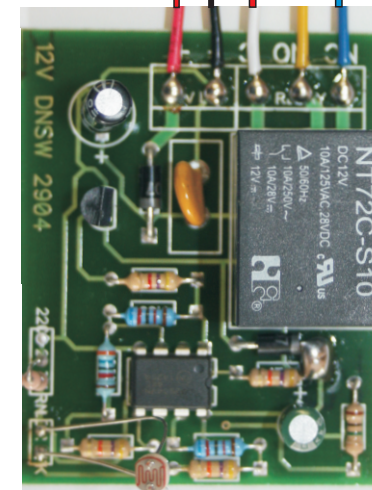
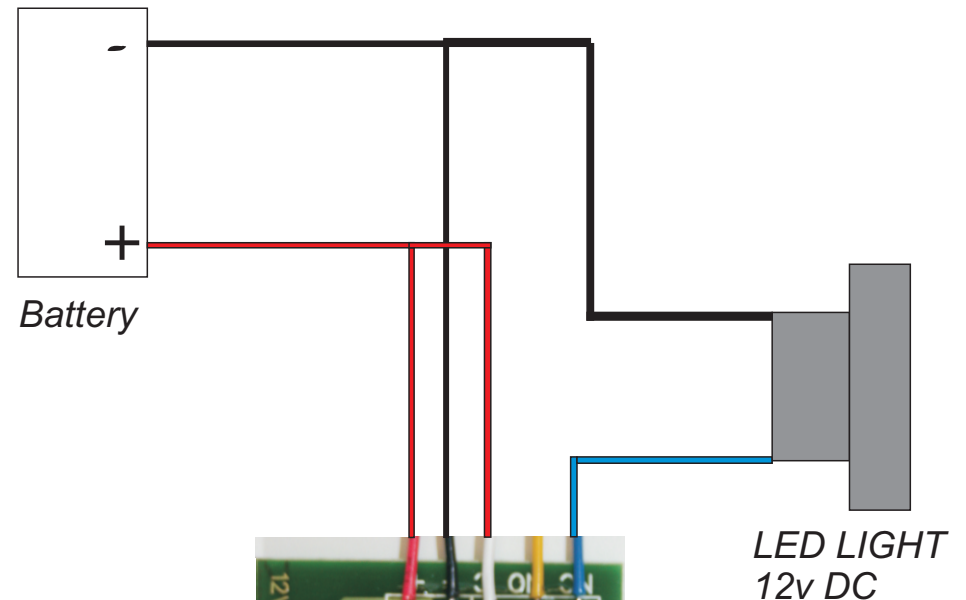
Use Common and N.O. connections to bypass or power equipment during the day.



www.kesa.co.za



Typical connection



www.kesa.co.za

