



TECHNICAL DATA INFORMATION

Battery Connector

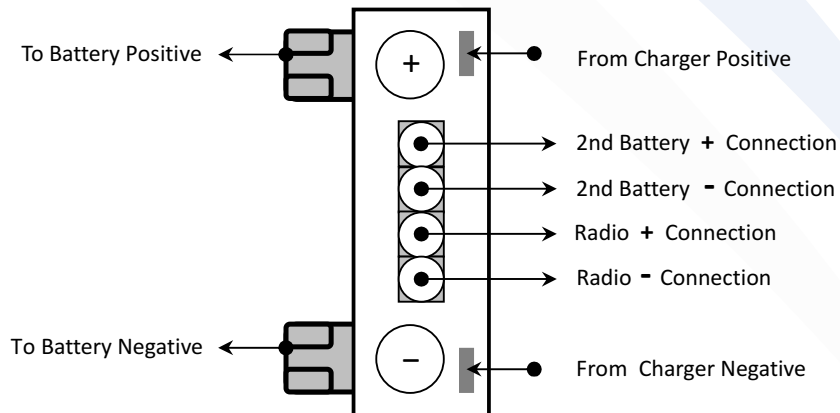
APPLICATION

- Connecting of auxiliary equipment without cutting battery leads
- Good solid connection for radio wiring
- Simplified powering-down of any system

SPECIFICATIONS

- 6.3mm receptacles to plug on to the battery
- 4.8mm lugs for battery charger wiring
- Dual screw terminal for connection to the radio and / or second battery
- Physical size - 57mm x 24mm

Wiring Diagram



INSTALLATION

- Plug charging leads onto unit
- Connect auxiliary wiring
- Plug onto battery