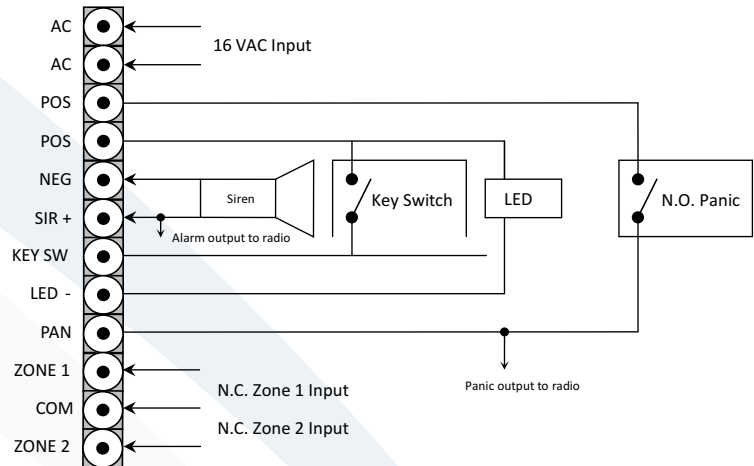




## TECHNICAL DATA INFORMATION 2 Zone Alarm PCB

### SPECIFICATIONS

- 16VAC Input
- 1A Battery Charger Circuit
- Fused Board
- 12VDC Output
- Key switch input for arm / disarm and reset
- LED Status output / alarm memory armed or disarmed
  - Separate Panic input.
- 2 Zone Inputs.
- 1 Minute timed siren output.



### INSTALLATION

#### **ALARM OFF:**

- Panic activates 3 minute timer
- Status LED flashes as follows
  - Zone 1 OPEN once every second
  - Zone 2 OPEN twice every second
  - Zone 1 and 2 OPEN three times every second

#### **ALARM ON:**

- Status LED on

#### **ALARM MEMORY:**

- Status LED flashes slowly
- Timer may be reset with KEY switch

#### **N.O. KEY SWITCH:**

- Input is a pulse type trigger
- *\*Optional Receiver Version\** to CODE a remote into the system, with power off short PANIC input to POS, power up the unit, status LED will be ON, press and hold button 1 on the remote and remove the link from PANIC to POS. Unit will learn the new remote, code other remotes the same as the one learnt into the unit