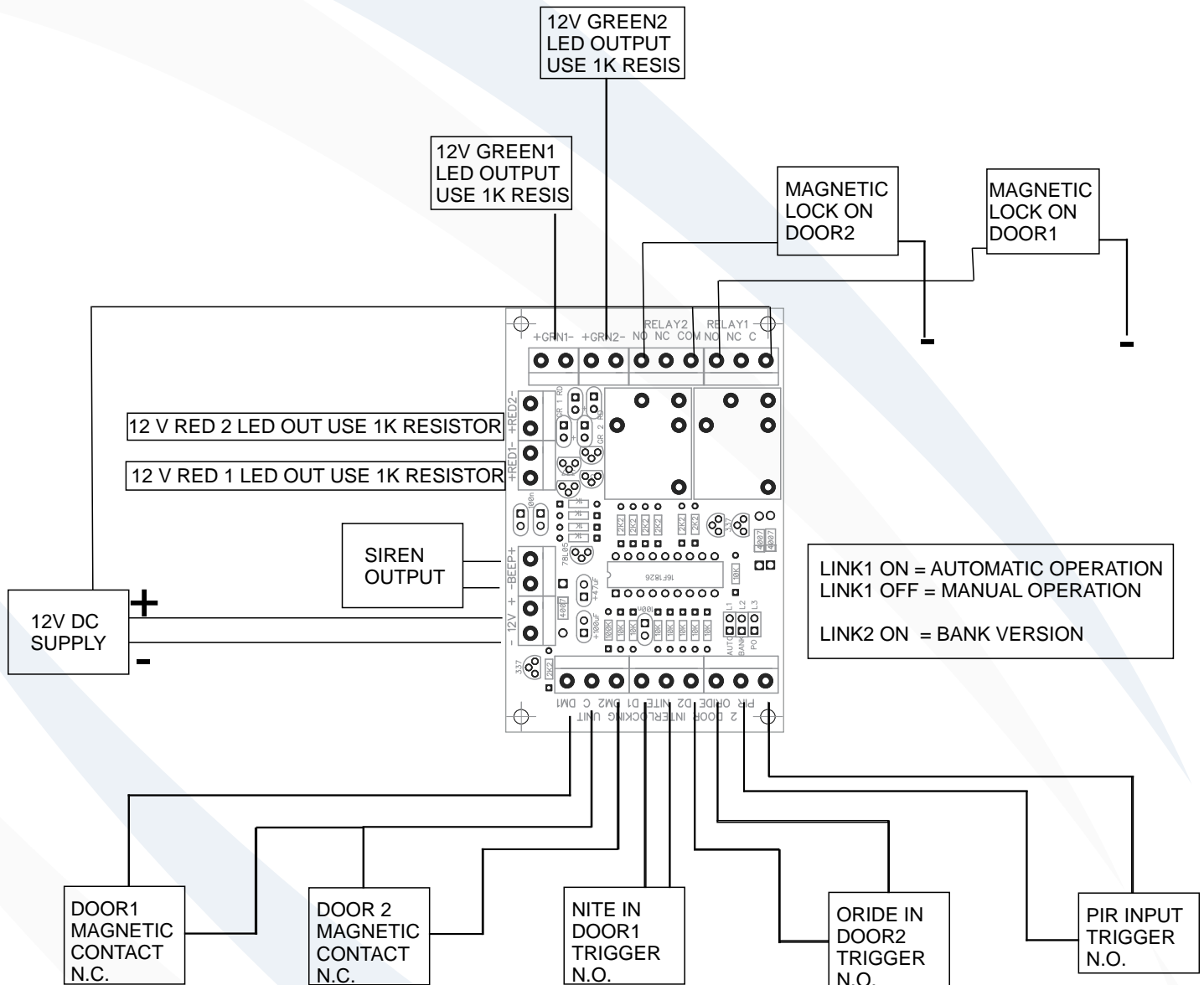


TECHNICAL DATA INFORMATION 2 Door Interlocking Unit



- 12V DC Operation.
- Doormag 1 and Doormag 2 are N.C. type.
- Relay contacts C and N.C. must be used for magnetic locks.
- Relay contacts C and N.O. must be used for striker locks.
- Nite Input is a N.O. pulse type input to release door 1.
- Override Input is a N.O. pulse type input to release door 2.
- LED outputs are 12 V DC, showing status of each door:
 - Green = Open.
 - Red = Locked
- A resistor is required unless 12v Globes are being used
- Door 1 will not open if Door 2 is open and visa versa.
- Any of the doors may be opened first.
- The door will remain open for as long as the trigger input remains active
- P.I.R. input is used for individual access control (one person at a time pressure mat).
- Beeper output triggers if the door is held open for too long.

Two Door Interlocking unit – Standard Operation

- Link 1 and 2 must be off
- On power up, all LED's flash, RED LED 1 and 2 Stay ON. Both doors are locked.
- Trigger Door 1 or 2, via nite or override input.
- The corresponding door releases - LED indication.
- Open Door, enter cubicle and close the door.
- PIR input must be N.O. (normally open loop)
- Trigger second door from within the cubicle to release the second door.
- Open second door and exit cubicle. Close the door.
- Unit reverts back to start, locking both doors.

Two Door Interlocking unit – Automatic Operation

NB: Ensure link 1 is inserted before power up to default the unit for automatic operation.

- Trigger Door 1 and Door 2 via Nite and Override input.
- The corresponding door will release, with LED indication.
- Open Door, enter cubicle and close the door.
- The second door automatically releases if the PIR input is N.O. (open on trigger)
- N.C. (normally closed) and common contacts are used from inside the PIR.
- If no movement is detected then the unit times out and reverts back to the beginning.
- Open second Door and exit cubicle. Close the door.
- Unit reverts back to start, locking both doors.
- A safety feature is included for accidental locking of persons within the booth, if movement is detected on the PIR input, open on trigger, while both doors are locked, the unit will simulate a door one trigger.

Two Door Interlocking unit – BANK Operation

NB: Ensure link 2 is inserted before power up to default the unit for bank operation

- On power up, all LED's flash, RED LED 2 ON, GREEN LED 1 On. Door 1 open, Door 2 locked.
- Open Door 1 and enter cubicle.
- When Door 1 closes Door 2 automatically opens with LED indication.
- Open Door 2, exit cubicle and close the door.
- Door 1 automatically unlocks.